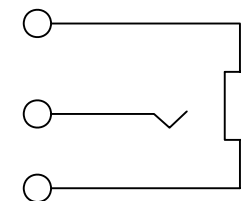
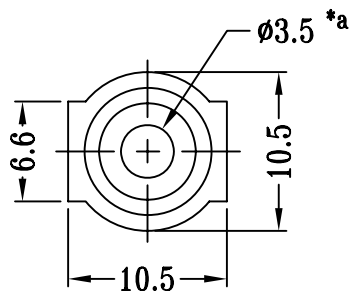
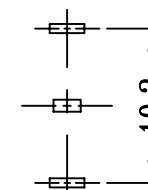
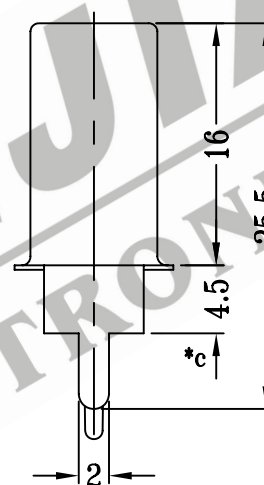
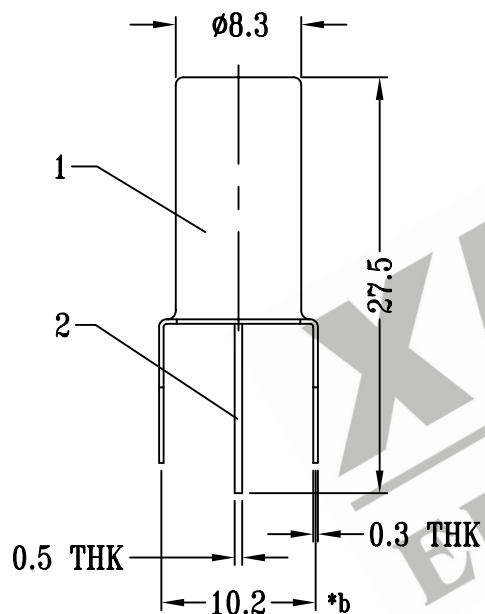


CAD FILE :



**SCHMATIC**



**P.C.B LAYOUT**

注:带"\*"表示关键尺寸(3个)

NO.	PART NAME	MATERIAL	QTY.	FINISHING	TOLERANCE UNLESS SPECIFIED				SHENZHEN XIEJIA ELECTRONICS CO.,LTD.						
8					WITHIN: 1.5±0.1mm OVER : 1.5±0.2mm				ISSUE		DATE		DESCRIPTIONS		APPD
7									TITLE: RCA JACK		UNIT : M M		DRWG NO : XJ-DR-RC140-00		
6					MODEL: RC-140		SCALE : 2 : 1		DWN.	ZHOUYU	2003-8-24				
5					ALL MATERIALS MUST BE COMPLIANT TO ROHS				CHK'D	FANGYING	2003-8-24				
4	WASHER	ABS	1	RED					APPD.		KANGXINAN	2003-8-24			
3	CASE	ABS	1	BLACK											
2	TERMINAL	BRASS STRIP	1	Ag PLATED OVER Ni PLATED											
1	SLEEVE	BRASS STRIP	1	Cr PLATED											